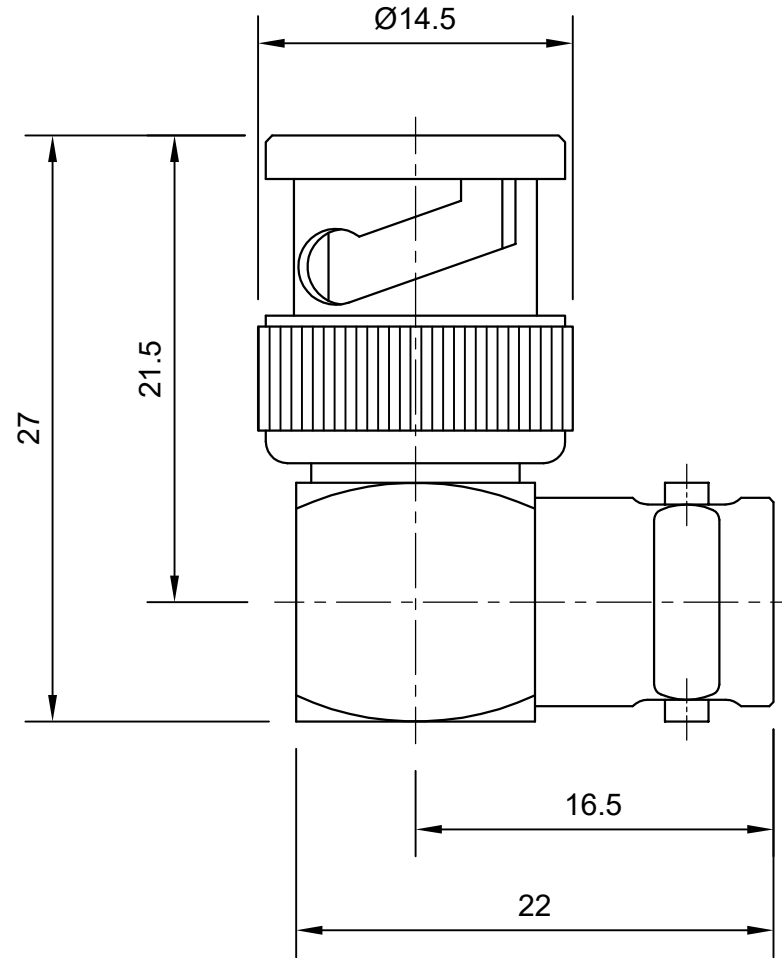





RevNo	Revision note	Date	Signature	Checked



TECHNICAL DATA

Type	Adapter
Orientation	Right Angle
Impedance (Ohms)	50
Adapter Side 1	BNC
Side 1 Gender	Plug
Adapter Side 2	BNC
Side 2 Gender	Jack
Body Finish	Nickel
Body Material	Brass
Contact Finish	Gold
Contact Material	Brass
Insulator Material	Delrin
Max. Frequency (GHz)	4
Mounting Feature	--
Min. Temp. (Celsius)	-40
Max. Temp. (Celsius)	85
Weight (Grams)	19.5

	SHEET 1 of 1	SCALE NTS
	RF ADAPTER	
DRAWN VINAY 27.10.2018	BNC Male to BNC Female	
CHECK	RIGHT ANGLE TYPE	
APPR. VINAY 27.10.2018	DWG NO	
ISSUED	VSW-AD-154211-R	
REV R0		

FILE PATH: D:\VINSUR\DRAWINGS -- VINSUR\ADAPTERS\BNC - BNC

SIZE

FILE NAME: ADAPTER - BNC Male to BNC Female Right Angle - VSW-AD-154211-R.dwg

1 2 3 4 5 6 7 8